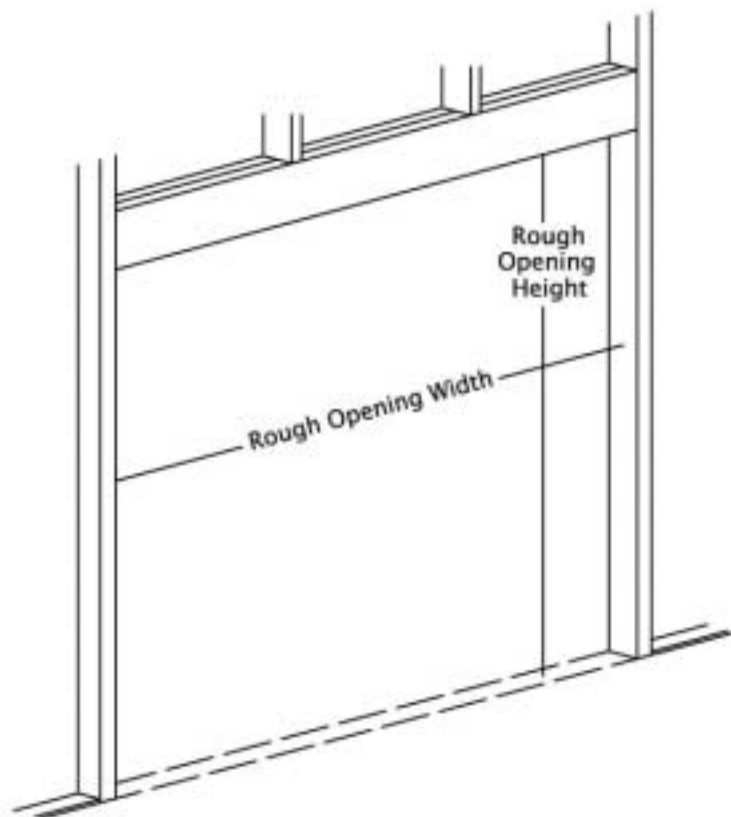
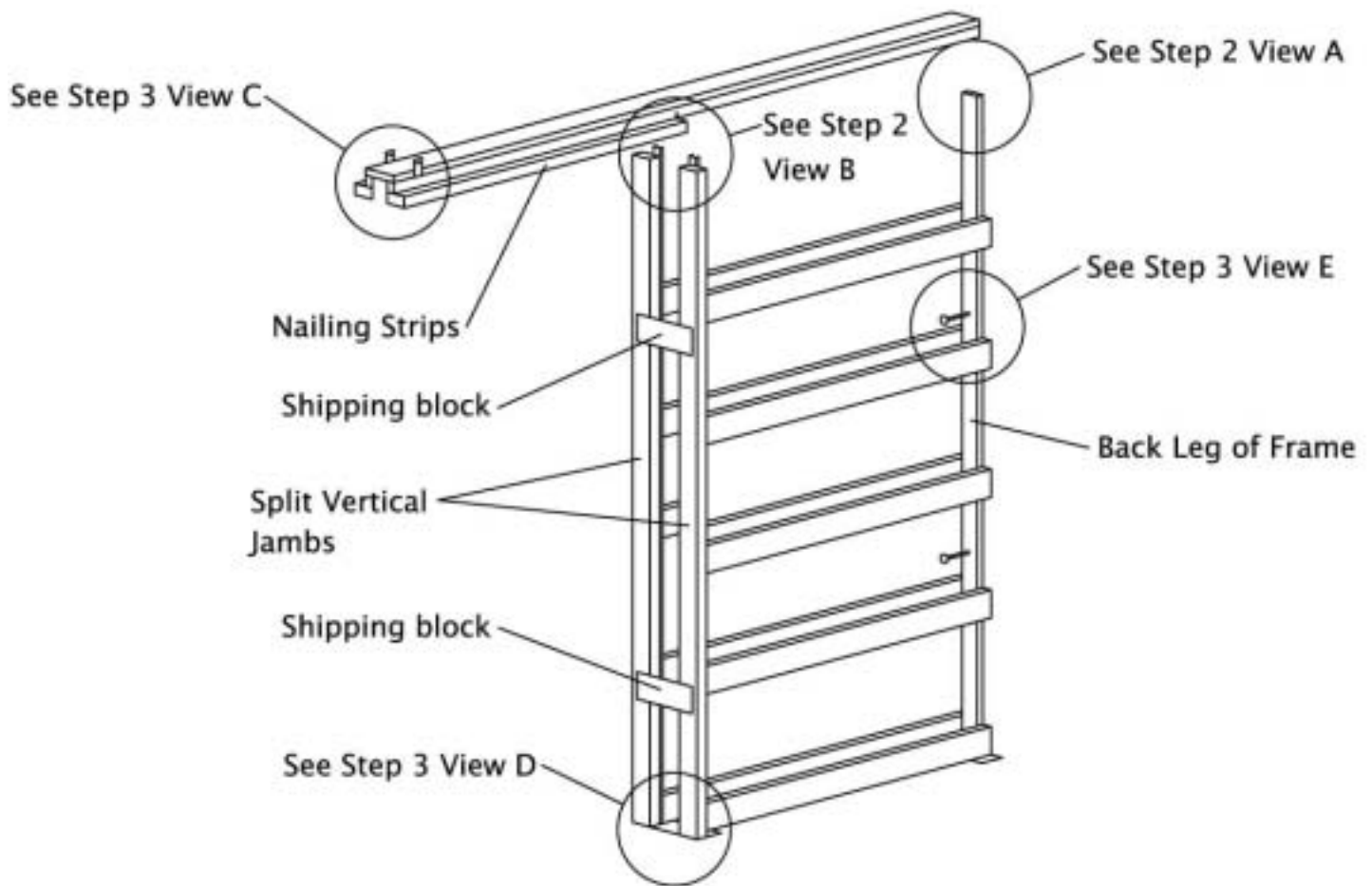


# POCKET DOOR FRAME INSTALLATION INSTRUCTIONS



## Step 1 Building the Pocket

Construct the Rough Opening.

Minimum rough opening height from finished floor to rough header is 84"

The rough opening width should equal 2 times the door width plus 2".

Example: 30" door x 2 = 60" plus 2" Equals 62", the Rough Opening Width

Rough studs must be plumb and the floor level.

## Step 2 Attach Header Assembly to Frame.

Slide end of header without nailing strips over Back Leg of Frame. See View A  
Insert steel stiffener ends into slots cut into Header Assembly. See View B.  
Next nail header to Back Leg of Frame and vertical split jambs to Header.



View A



View B

## Step 3 Attach Frame Assembly into Rough Opening.

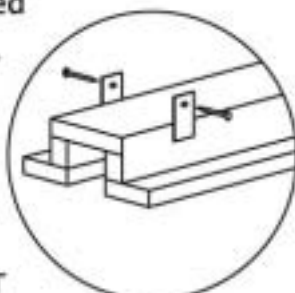
Determine which side of the opening will be the doorway. The Frame should be installed with Header Nailing Strips in the doorway.  
TIP- Snap two chalk lines on floor even with framing studs to insure frame is square in pocket opening.

Shim as needed until Track is level and Jambs are vertical. NOTE: DOOR WILL NOT STAY IN POSITION IF TRACK IS NOT LEVEL.

Nail Header to Rough Frame - View C

Nail bottom of Frame to floor - View D

Nail back of Frame to Rough Stud - View E



View C



View D



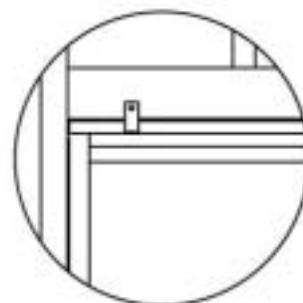
View E

## Step 4 NOTE: Installation of Face Jamb

Installation of Face Jamb can be done before or after wall covering is added.

Plumb jamb and shim so Face Jamb is snug against split jamb on Header, then nail.

See View F



View F

## Step 5 Shipping Blocks

After wall covering is added, Shipping Blocks can be removed.

Proceed to HANGING THE DOOR Instructions.