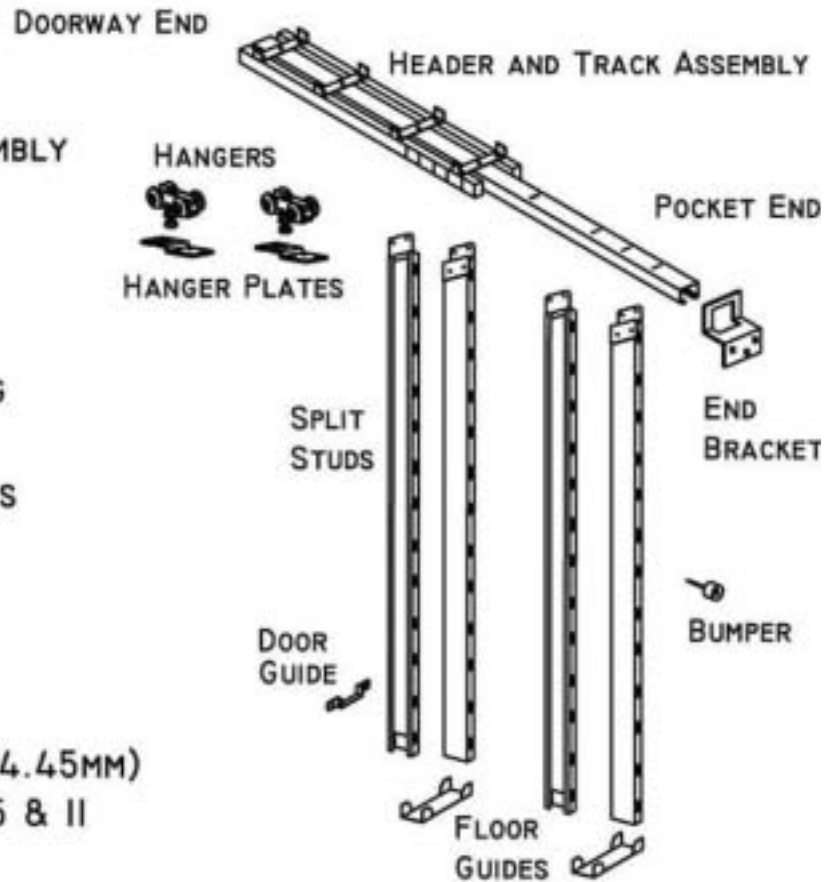


INSTALLION INSTRUCTIONS NO. 1430 POCKET DOOR FRAME

- THIS CARTON CONTAINS:**
- 1 HEADER AND TRACK ASSEMBLY
 - 1 END BRACKET
 - 4 SPLIT STUDS
 - 2 FLOOR PLATES
 - 1 BUMPER
 - 1 DOOR HANGING PARTS BAG
 - 2 HANGERS
 - 2 HANGER PLATES
 - 1 DOOR GUIDE



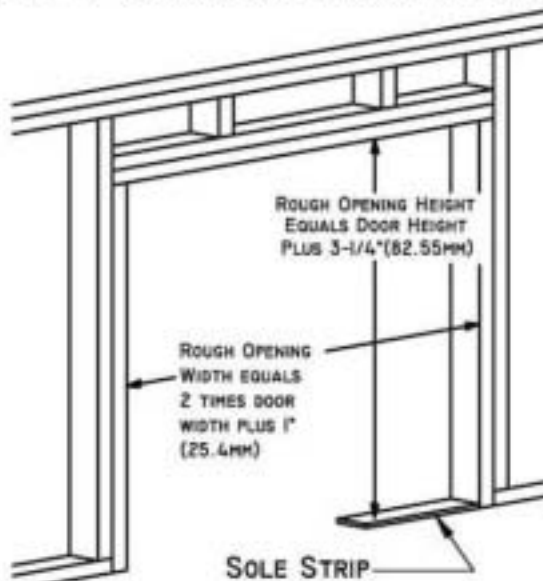
NOTE: IF USING 1-3/4"(44.45MM) DOORS, REFER TO STEPS 5 & II BEFORE INSTALLATION.

NOTE: FOR BI-PARTING DOORS USE STERLING DOUBLE POCKET DOOR KIT CD-1437 (SOLD SEPERATELY)



JOINS 2 POCKET DOOR FRAMES TO MAKE ONE LARGE DOORWAY.
ROUGH OPENING WIDTH CHANGES TO 4 TIMES ONE DOOR WIDTH.

STEP I CONSTRUCT ROUGH OPENING



NOT NEEDED- IF FLOOR COVERING USED IS LESS THAN 1/4"(6.35MM) THICK OR DOOR IS CUT TO SUIT.

MINIMUM ROUGH OPENING HEIGHT FROM FINISHED FLOOR OR SOLE STRIP TO HEADER
 83-1/4"(211.45CM) FOR 6'-8"(203.2CM) DOOR
 87-1/4"(221.62CM) FOR 7'-0"(213.4CM) DOOR
 99-1/4"(252.01CM) FOR 8'-0"(243.65CM) DOOR

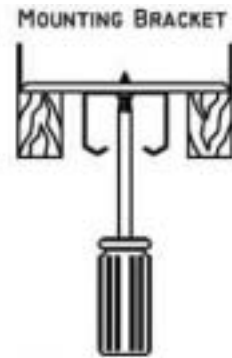
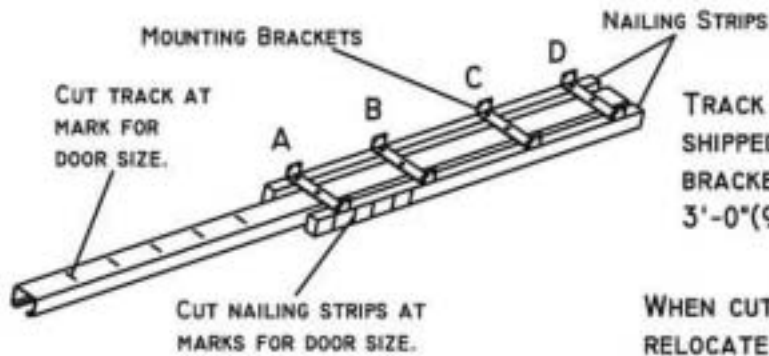
THE ROUGH OPENING WIDTH SHOULD EQUAL 2 TIMES DOOR WIDTH PLUS 1"(25.4MM).

EXAMPLE: 30"(76.2CM) DOOR x 2 = 60" (152.4CM) PLUS 1"(25.4MM) = 61"(154.94CM) ROUGH OPENING WIDTH.

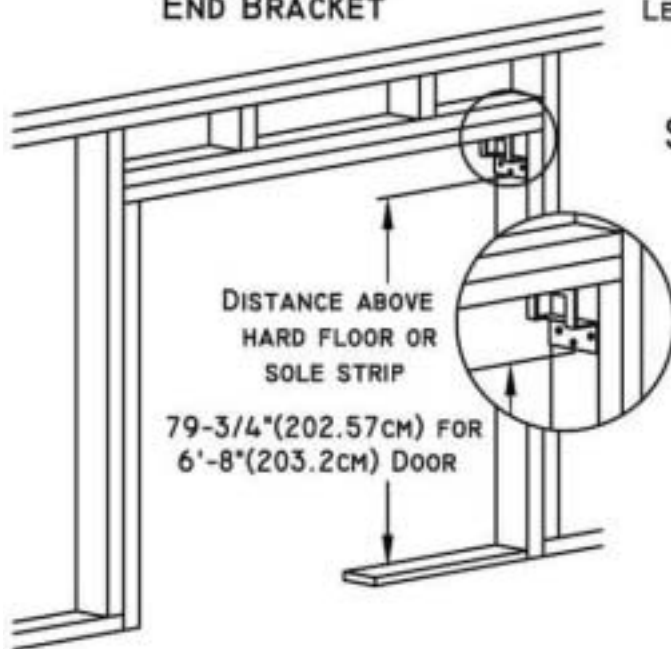
ROUGH STUDS MUST BE PLUMB AND THE FLOOR LEVEL.

IF FLOOR COVERING(CARPETING, ETC.) IS MORE THAN 1/4"(6.35MM) IN THICKNESS YOU SHOULD-
 A) CUT OF BOTTOM OF DOOR OR
 B) USE SOLE STRIP AS SHOWN EQUAL TO THICKNESS OF FLOOR COVERING.

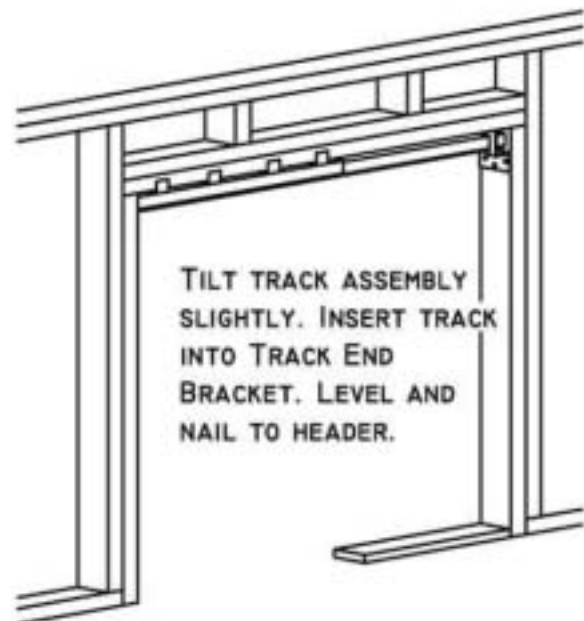
STEP 2 SIZE TRACK AND HEADER ASSEMBLY



STEP 3 MOUNT TRACK END BRACKET



STEP 4 MOUNT TRACK ASSEMBLY



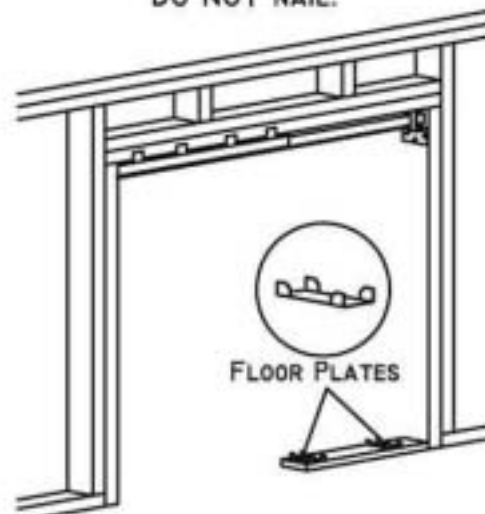
STEP 5 CHECK DOOR THICKNESS

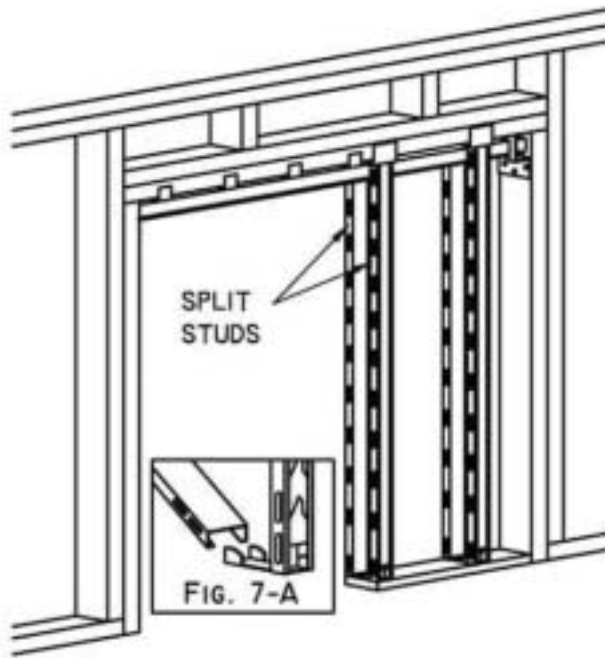
WHEN PROPERLY INSTALLED IN 3-1/2" (88.9MM) STUD WALL WITHOUT MODIFICATIONS, THIS FRAME ALLOWS 2" (25.8MM) FREE SPACE BETWEEN SPLIT STUDS FOR DOOR. A 1-3/8" (34.93MM) DOOR WOULD LEAVE 5/16" (7.92MM) CLEARANCE ON EACH SIDE. A 1-3/4" (44.45MM) DOOR WOULD LEAVE 1/8" (3.18MM) CLEARANCE ON EACH SIDE. FOR ADDITIONAL CLEARANCE, FLOOR PLATES MAY BE CUT AND SPREAD APART. SHIMS MAY ALSO BE INSERTED BETWEEN ROUGH HEADER AND SPLIT STUD NAILING PLATES. SEE STEPS 6 & 7.

-OR-

USE STERLING KIT CD-1634 WHICH CONTAINS SHIMS, NAILS AND CORRECTLY SIZED FLOOR PLATES NEEDED FOR 1-3/4" (44.45MM) DOORS.

STEP 6 LAY DOWN FLOOR PLATES. DO NOT NAIL.





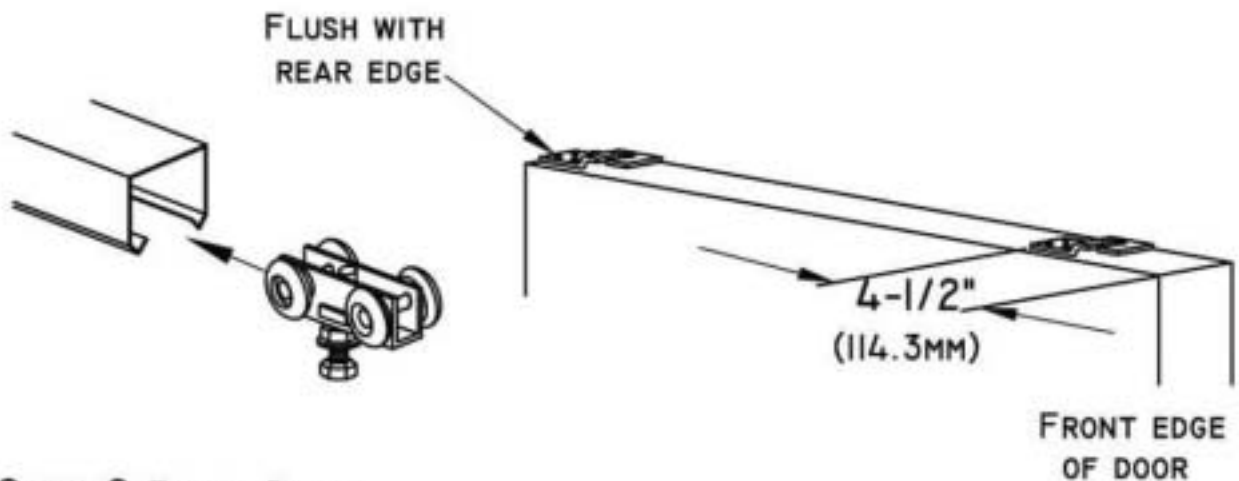
STEP 7 INSTALL STUDS

1ST PAIR - FLUSH AGAINST
NAILING STRIPS
2ND PAIR - IN MIDDLE
OF POCKET

ENGAGE SPLIT BOTTOM END OF STUDS AT AN
ANGLE WITH FLOOR PLATE (SEE FIG. 7-A)
SWING INTO PLACE AND NAIL TO ROUGH
HEADER. PLUMB STUDS AND NAIL FLOOR
PLATES TO FLOOR.

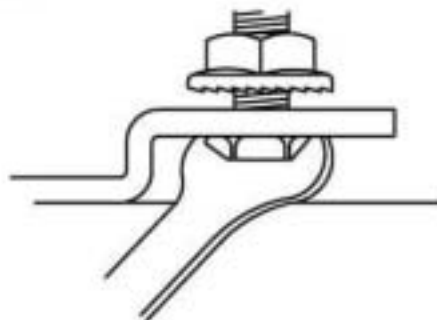
STEP 8 HANG DOOR

- A. INSERT 4 WHEEL CARRIERS INTO END OF TRACK. SCREW ADJUSTING BOLT TO LOWEST POSITION.
- B. MOUNT DOOR HANGER PLATES AS SHOWN & ATTACH BUMPER TO BACK EDGE OF DOOR IN APPROXIMATE CENTER.
- C. INSTALL DOOR, MOUNTING REAR EDGE FIRST, THEN FRONT EDGE.
- D. WALL MATERIAL CAN NOW BE APPLIED.



STEP 9 PLUMB DOOR

PLUMB DOOR BY TURNING ADJUSTING BOLT WITH THE WRENCH SUPPLIED. AFTER THE DOOR IS PLUMBED, TIGHTEN HANGER JAMB NUT.



STEP 10 APPLY FINISH JAMBS & TRIM.

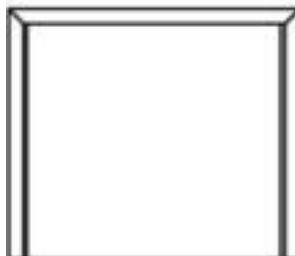


INSTALL VERTICAL FINISH JAMBS, BUTTING THEM ALL THE WAY UP AGAINST EXPOSED WOOD IN NAILING STRIPS TO HEADER ASSEMBLY.

NOTE: STANDARD DOORWAY JAMB CAN BE RIPPED TO SUIT.



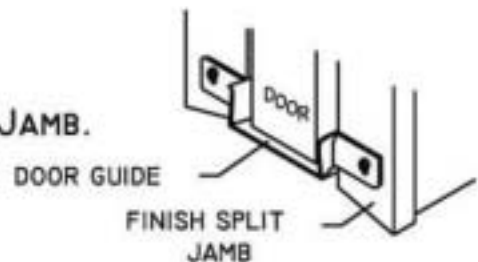
INSTALL FINISH SPLIT HEAD JAMB TO THE EXPOSED WOOD ON EITHER SIDE OF TRACK, LEAVING $3/16"$ (4.78MM) CLEARANCE ON BOTH SIDES OF DOOR. TO ALLOW FOR FUTURE DOOR ADJUSTMENT OR REMOVAL, AT LEAST ONE FINISHED SPLIT HEAD JAMB SHOULD BE ATTACHED WITH SCREWS ONLY: THE ONE ON YOUR RIGHT HAND OVER HEAD AS YOU FACE THE DOOR IN THE POCKET IS RECOMMENDED.



INSTALL FINISH TRIM OR CASING. FASTEN FINISH TRIM OR CASING TO EITHER HEADER JAMB OR WALL, NOT BOTH, SO HEAD JAMB CAN BE REMOVED LATER WITHOUT DAMAGE IF NEEDED.

STEP II APPLY DOOR GUIDE TO SPLIT FINISH JAMB.

NOTE: CUT DOOR GUIDE IN HALF FOR $1-3/4"$ (44.45MM) DOORS.

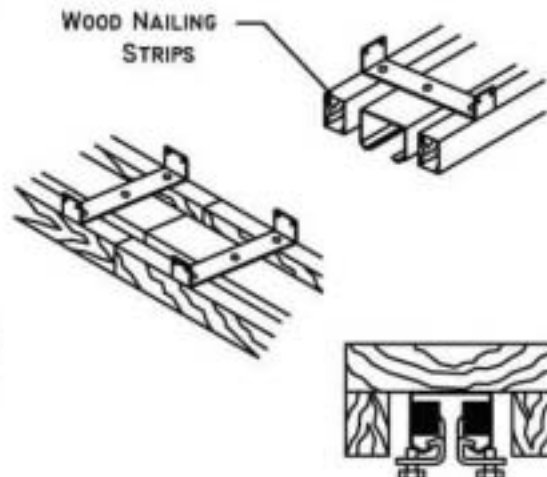


DOUBLE POCKET DOOR INSTALLATION



USES 2 POCKET DOOR FRAMES TO MAKE ONE LARGE DOORWAY.

1. ROUGH OPENING WIDTH CHANGES TO 4 TIMES ONE DOOR WIDTH.
2. CUT WOODNAILING STRIPS FLUSH WITH END OF TRACK.
3. INSTALL HANGERS AND MOUNT TRACK ASSEMBLIES WITH ENDS OF NAILING STRIPS BUTTED TOGETHER.
4. INSTALL CENTER STOP BUMPERS INCLUDED IN DOUBLE DOOR ACCESSROY KIT No. CD-1437 POSITION IN TRACK AT CENTER OF OPENING TO STOP DOORS AT CENTER.



JOHN STERLING CORPORATION
RICHMOND, ILLINOIS 60071 U.S.A.

© COPYRIGHT 2004