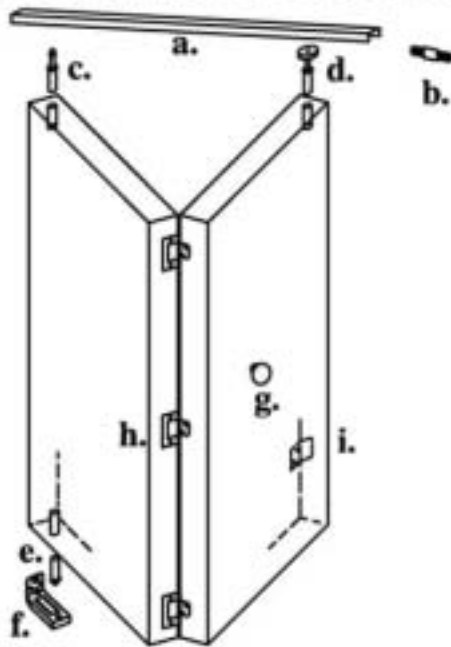


# SERIES 1540 BI-FOLD DOOR HARDWARE



## Set Contents

	2-Door Set	4-Door Set
a. Track	1	1
b. Snagger	1	1
c. Top Pivot	1	2
d. Top guide	1	2
e. Bottom Pivot	1	2
f. Jamb bracket	1	2
g. Wood Knob	1	2
h. Hinges	3	6
i. Aligners	-	2

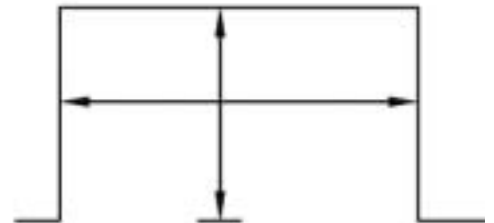
For door panels up to 30 lbs. each  
1" to 1-3/8" thick

## Step 1 Prepare Opening and Doors.

**Note:** Doors and doorways must be correctly sized to each other for proper operation.

### A. Height

Door height should be 1-3/4" to 2" less than height of the doorway opening. Shorter doors can be accommodated by mounting the jamb bracket higher off the floor, leaving gap under the doors.

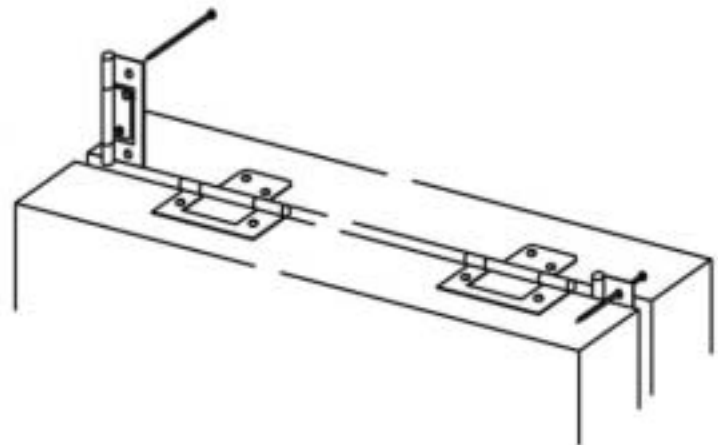


### B. Width

2 panel doorway = 2 x 1 door panel plus 1/2"  
4 panel doorway = 4 x 1 door panel plus 1"

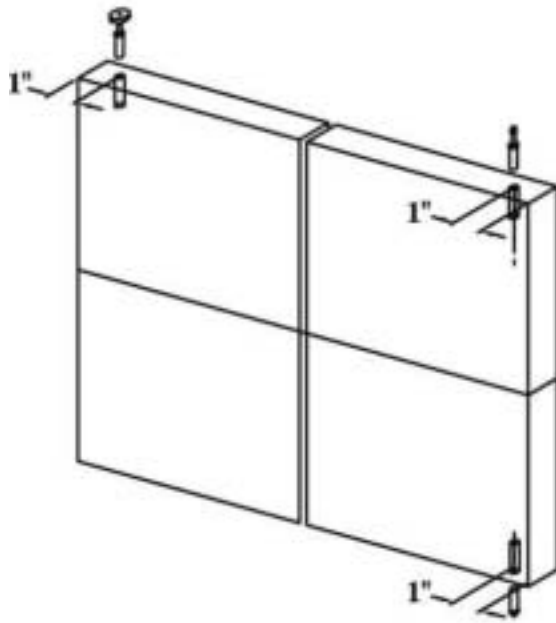
## Step 2 Apply Hinges

(If panels are not pre-hinged)



To install hinges, place doors side by side. Hang hinges between doors as spacers to maintain correct gap. Mount hinges 6" from each end of door and one in the center. Use hinge as a template and drill 3/32" diameter holes and fasten with #6 flat headed screws.

### Step 3 Locate Pivots and Guides (if doors are not already pre-drilled)



Drill 3/8" diameter holes 1-1/2" deep into top and bottom of pivoted door, 1" from edge as shown in sketch. Do the same at the top of the guide door.

Tap pivots and guides into doors gently with light hammer blows directly on top of the pins.

### Step 4 Size Track

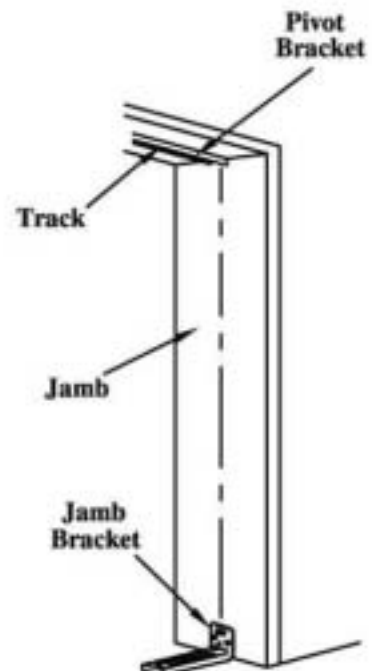
If necessary, track may be cut with a fine tooth hacksaw. Length should be at least 1/8" less than the width of the finished opening.



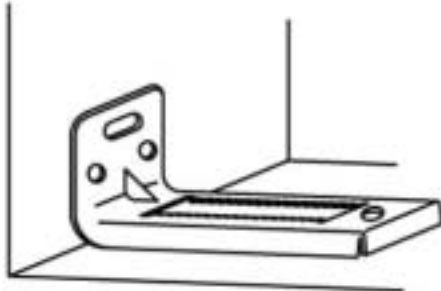
**TIP:** Measure both sides and the top of the track and place a pencil line to be used as a cutting guide. This will help keep your cut square and neat.

### Step 5 Track Mounting

Mount track to top of doorway, set back 3/4" from front edge. Make sure pivot bracket in track is next to the jamb intended for pivot. Using track as a template, mark screw locations. Drill 3/32" pilot holes to accommodate track screws. Fasten securely.



## Step 6 Install Jamb Bracket.



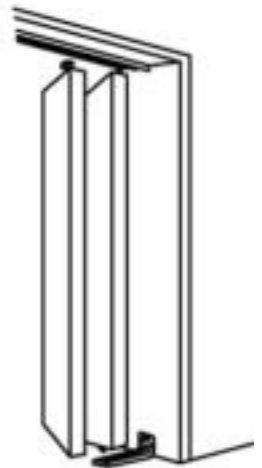
Measure the door height. Measure down this same length from the top header and make a pencil mark on the jamb. Mount the Jamb Bracket so the top edge is located on this mark, and centered directly under the track.

Use the Jamb Bracket as a template and drill  $3/32$ " pilot holes for #6 x 1-1/4" flat headed screws.

**NOTE:** Extra heavy Jamb Bracket will hold doors without having to rest on floor for support, but must be securely fastened to the jamb by making certain screws penetrate firmly into the wood studs behind the jamb.

## Step 7 Hang Doors

Fold door panels together and engage top pivot into top pivot socket and the top pivot guide into the track. Set bottom pivot into Jamb Bracket.

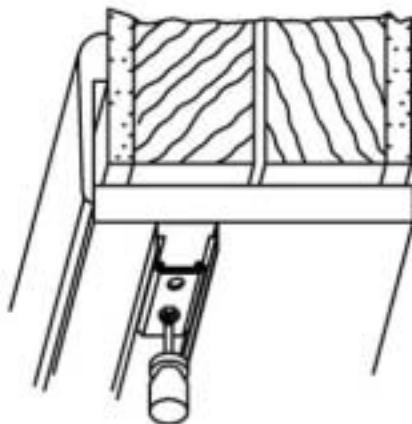


## Step 8 Snugger



Press self-centering 4 door snugger into the track between the pairs of door panels. In 2 door installations, press the 2 door snugger into the track between the top guide and the jamb farthest from the pivot.

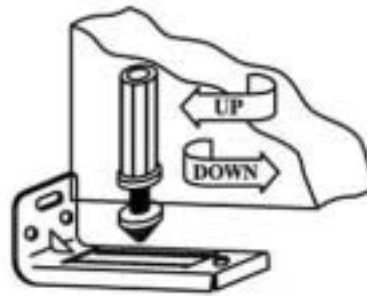
## Step 9 Adjust doors side to side.



Door edge should be approximately  $5/16$ " from the pivot jamb when closed. Adjustments to this can be made from the top if needed, by loosening the Phillip's head screw in the top pivot bracket and sliding the bracket to the desired location and re-tightening the Phillip's head screw securely. Adjustments at the bottom are made by lifting the door until the pivot clears the Jamb Bracket and then re-seating the bracket at the desired location.

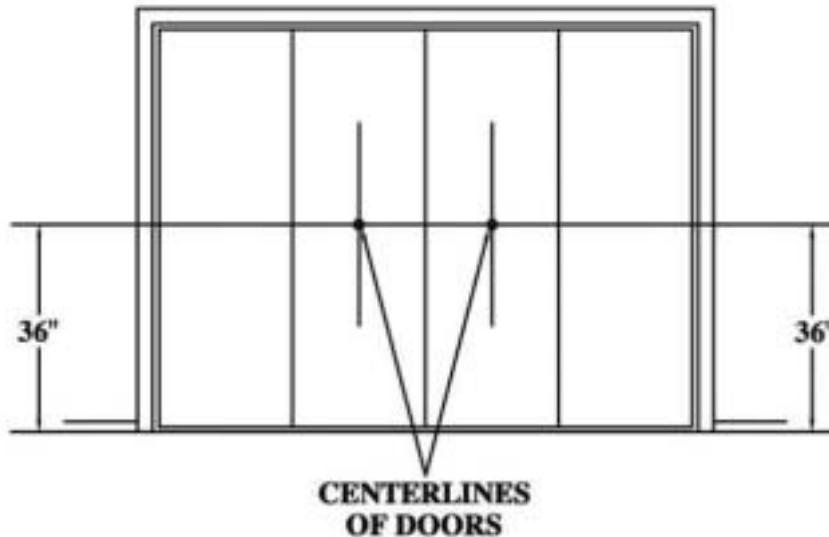


## Step 10 Adjust door.



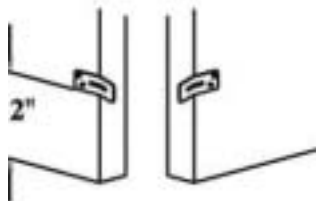
Up and down adjustments are made by rotating the adjusting bolt in the bottom pivot: Lift doors and turn right to lower the door-left to raise it. To hold top guides securely in top track, doors should be adjusted UP as far as practical, until spring action on top pivot and guide is compassed.

## Step 11 Install knobs.



Drill  $3/16$ " diameter holes approximately 36" from the floor and in the center of the guide door. Fasten with screws provided.

## Step 12 Aligners.



On 4 panel sets, mount aligners on the back side of door panels approximately 12" from the bottom. Use the aligners as templates and drill  $3/32$ " diameter holes and mount using two  $3/4$ " #8 Pan Head screws. Adjust in and out until doors "snap" closed. Tighten screws securely.