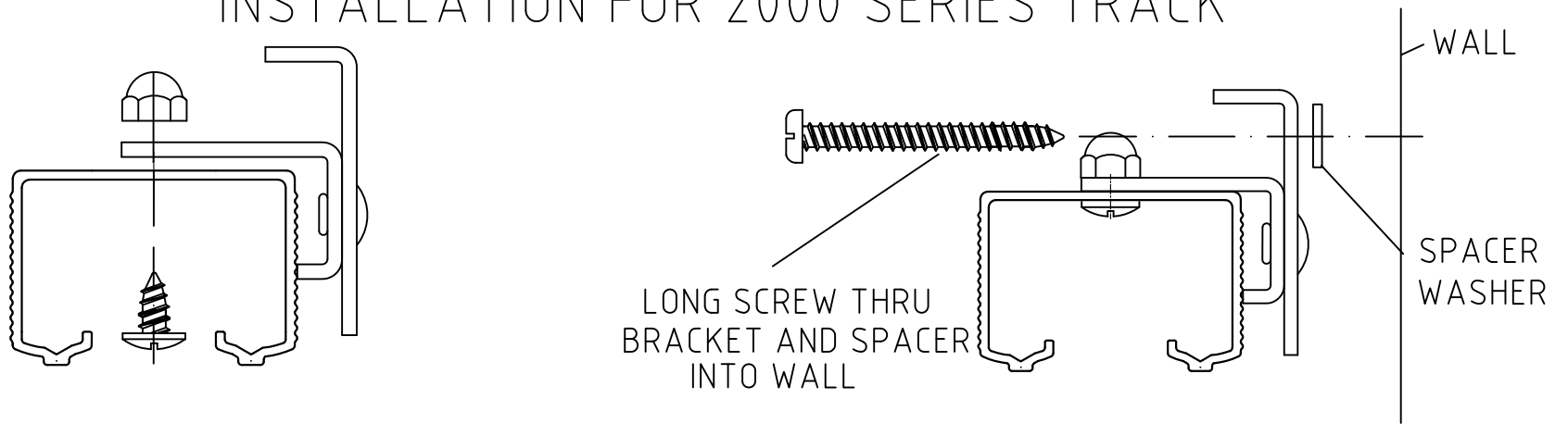
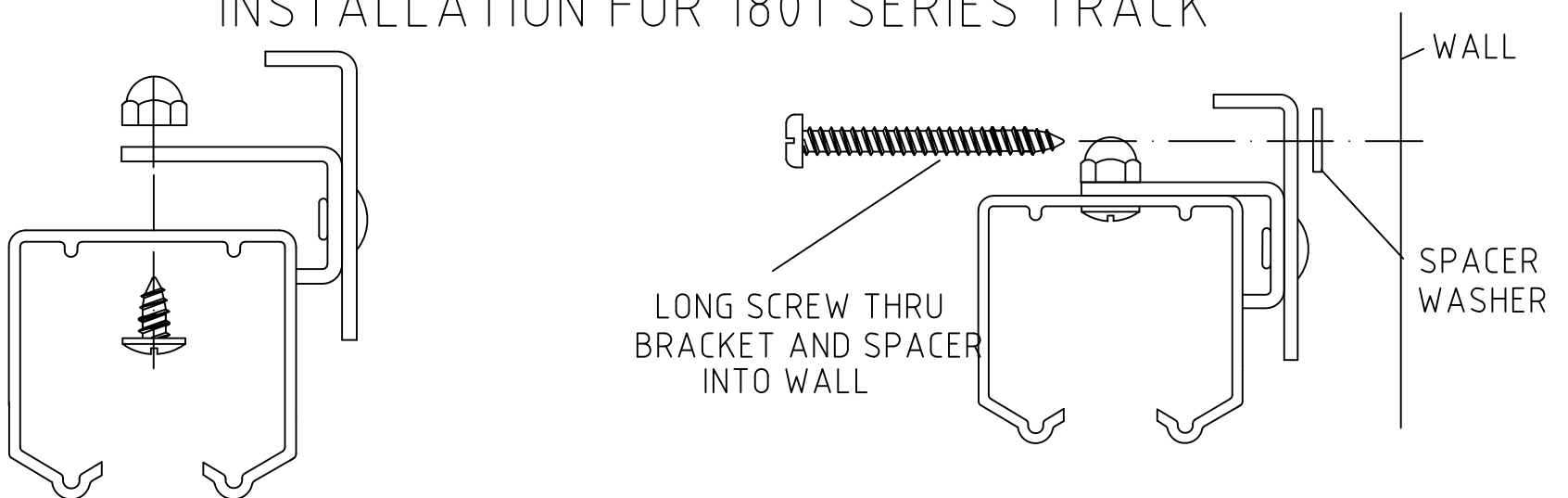


## INSTALLATION FOR 2000 SERIES TRACK



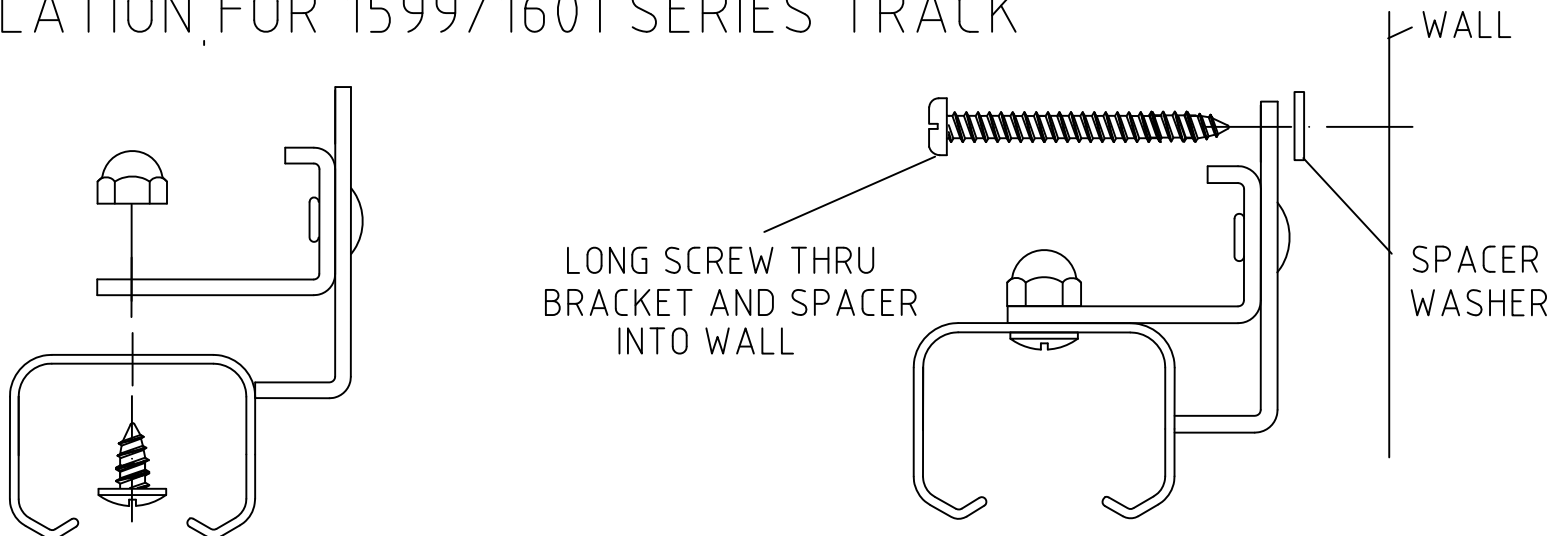
1. DRIVE SHORT SCREW THRU TRACK INTO BRACKET USING HAND SCREWDRIVER UNTIL SNUG.  
 ——— DO NOT OVER TIGHTEN ———
2. HAND THREAD ACORN NUT OVER SCREW POINT.
3. ATTACH TRACK TO WALL WITH SPACER WASHER BETWEEN BRACKET AND WALL.

## INSTALLATION FOR 1801 SERIES TRACK



1. DRIVE SHORT SCREW THRU TRACK INTO BRACKET USING HAND SCREWDRIVER UNTIL SNUG.  
 ——— DO NOT OVER TIGHTEN ———
2. HAND THREAD ACORN NUT OVER SCREW POINT.
3. ATTACH TRACK TO WALL WITH SPACER WASHER BETWEEN BRACKET AND WALL.

## INSTALLATION FOR 1599/1601 SERIES TRACK



1. DRIVE SHORT SCREW THRU TRACK INTO BRACKET USING HAND SCREWDRIVER UNTIL SNUG.  
 ——— DO NOT OVER TIGHTEN ———
2. HAND THREAD ACORN NUT OVER SCREW POINT.
3. ATTACH TRACK TO WALL WITH SPACER WASHER BETWEEN BRACKET AND WALL.

© Copyright 2004

John Sterling Corporation  
 RICHMOND, ILLINIOS 60071 U.S.A.

3126-INST  
 Rev'd 1-07