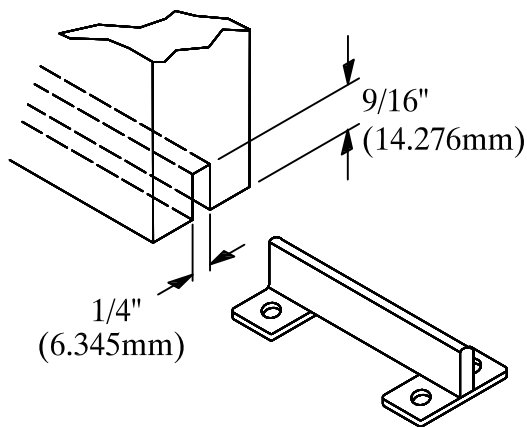


SLIDING DOOR HARDWARE INSTALLATION INSTRUCTIONS

1. PREPARE DOOR (Same for Pocket or By-Pass Doors)

A.) Drill two holes 1/2" (12.69mm) dia., 1-3/4" (44.45mm) deep on center line of door top, 5" (126.90mm) from each door edge.

B.) Cut a continuous 1/4" (6.34mm) wide by 9/16" (14.27mm) deep slot at the bottom along center line of door thickness for floor guide.

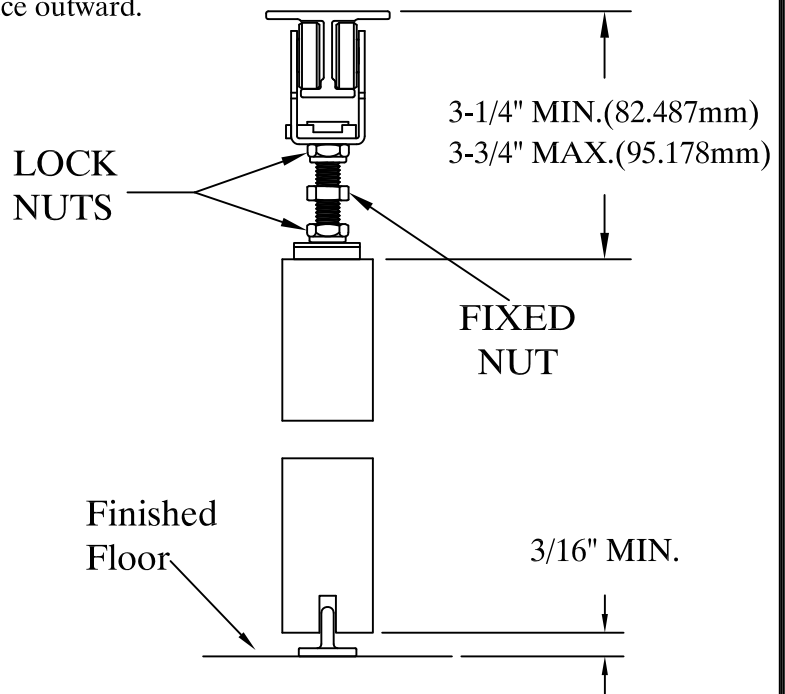


2. MOUNT TRACK

Carriers should be on the track before mounting. Opening in carriers should face outward.

3. SCREW MOUNTING

bolts in top plates and fasten plates to top of the door.



4. MOUNT DOORS

POCKET DOORS

A.) Mount floor guide first directly under track and as far into the pocket as far practical.

B.) Place slot in door over door guide and hang mounting bolts into carriers.

C.) Adjust for clearance over guide and for proper alignment. Tighten locknuts against both carriers and top plates.

BY-PASS DOORS

A.) Hang door(s) by inserting mounting bolts into carriers. Adjust so there is at least 3/16" (4.7mm) clearance at the bottom. Make other alignments as required and tighten lock-nuts against both the carriers and the top plates.

B.) Slide door(s) all the way toward one jamb.

C.) Insert door guide half-way under door(s) (in slot). Fasten exposed end.

D.) Slide door(s) to other jamb and fasten other end of guide.