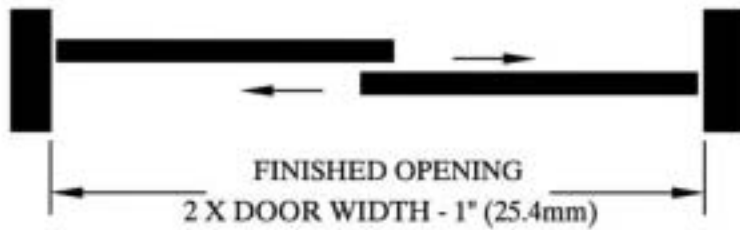


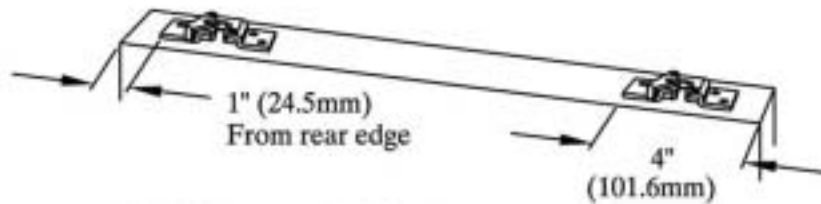
## 1. Prepare Finished Opening



## 2. Install Track & Rollers

Fascia track should be installed with no gap.  
Rollers must be inserted before track is mounted.

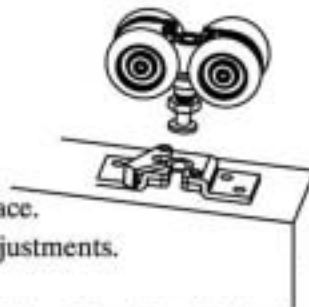
## 3. Mount Door Plates



Note: Plates may be off center.  
See chart on back.

## 4. Hang and Adjust Door:

Attach door to rollers, Swing hanger into place.  
Turn adjusting bolt for height and plumb adjustments.



## 5. Install Door Guide, Stops and Pulls.

Two Door Installation  
with Door Stop



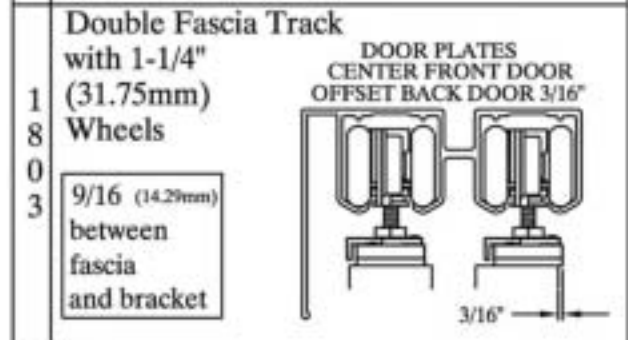
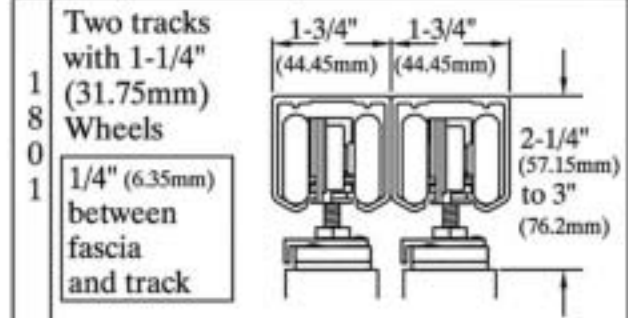
© Copyright 2005  
John Sterling Corp.



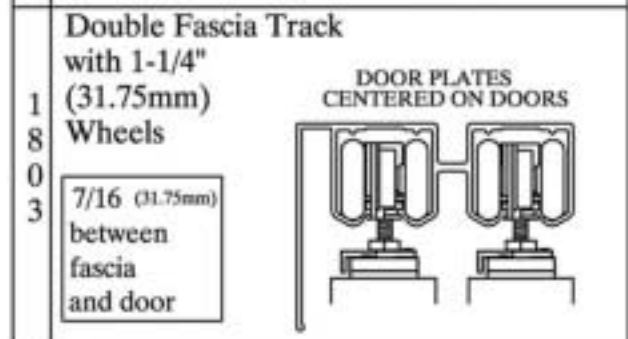
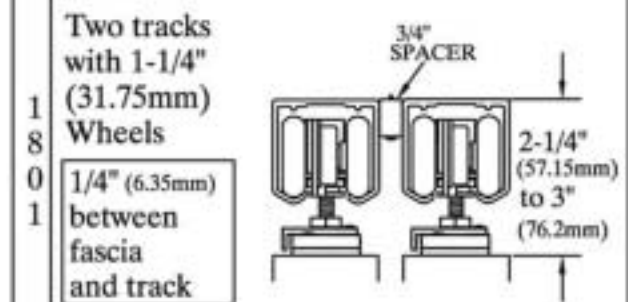
RICHMOND, IL 60071

1827-TM INST FRONT  
Rev'd 4-2-07

## 1-3/8" (34.93mm) THICK DOORS



## 1-3/4" (44.45mm) THICK DOORS



FLOOR CLEARANCE: Allow 1/2" (12.7mm) between door and finished floor.