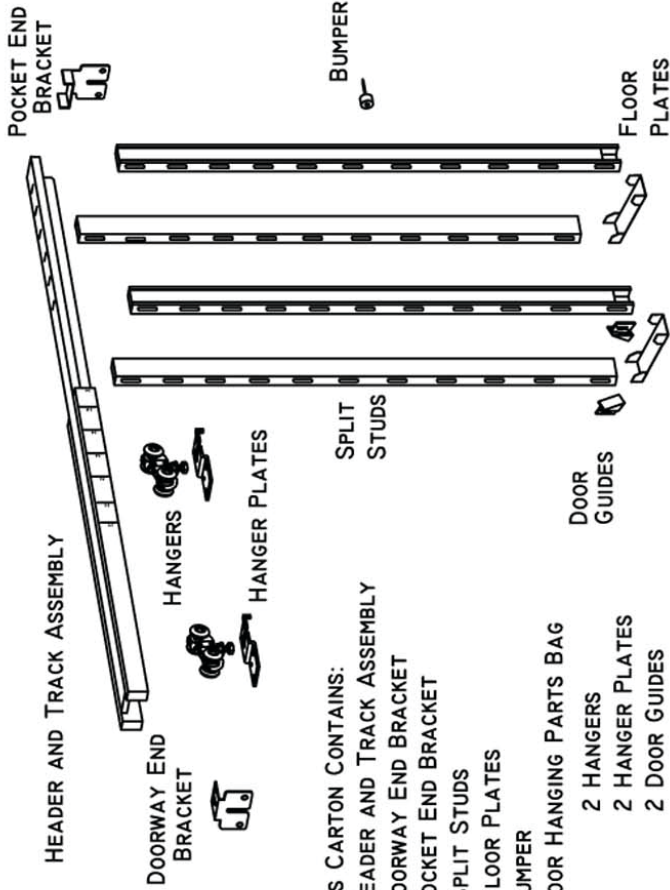


# INSTALLATION INSTRUCTIONS NO. 1630 POCKET DOOR FRAME

HEADER AND TRACK ASSEMBLY



**THIS CARTON CONTAINS:**

- 1 HEADER AND TRACK ASSEMBLY
- 1 DOORWAY END BRACKET
- 1 POCKET END BRACKET
- 4 SPLIT STUDS
- 2 FLOOR PLATES
- 1 BUMPER
- 1 DOOR HANGING PARTS BAG
- 2 HANGERS
- 2 HANGER PLATES
- 2 DOOR GUIDES

**NOTE:** FOR BI-PARTING DOORS USE STERLING DOUBLE POCKET DOOR KIT CD-1639 (SOLD SEPARATELY)



## BUILDING THE POCKET

### STEP 1 CONSTRUCT ROUGH OPENING

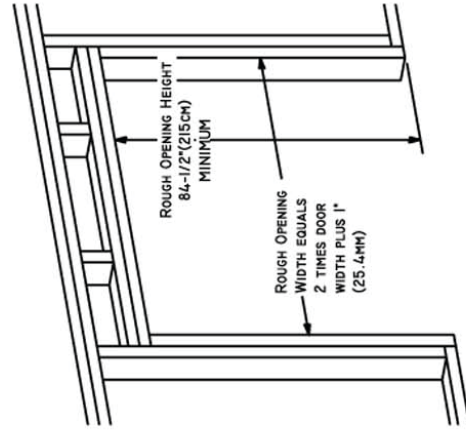
MINIMUM ROUGH OPENING HEIGHT FROM FINISHED FLOOR TO HEADER

- 84-1/2" (214.63CM) FOR 6'-8" (203.2CM) DOOR
- 88-1/2" (224.79CM) FOR 7'-0" (213.36CM) DOOR
- 100-1/2" (255.27CM) FOR 8'-0" (243.84CM) DOOR

THE ROUGH OPENING WIDTH SHOULD EQUAL 2 TIMES DOOR WIDTH PLUS 1" (25.4MM).

EXAMPLE: 30" (76.2CM) DOOR X 2 = 60" (152.4CM) PLUS 1" (25.4MM) = 61" (154.94CM) ROUGH OPENING WIDTH.

ROUGH STUDS MUST BE PLUMB AND THE FLOOR LEVEL.



## STEP 2 PREPARE HEADER AND TRACK ASSEMBLY

THE TRACK IN THIS KIT WILL FIT A 3'-0" (91.44CM) DOOR WITHOUT MODIFICATION, BUT IT CAN BE CUT TO ACCOMMODATE ANY SIZE DOOR LESS THAN 3'-0" (91.44CM) AS SHOWN.

### CUTTING INSTRUCTIONS FOR STANDARD WIDTH DOORS:

(A) CUT WOOD HEADER AT STAMPED SIZE MARK.



CUT HEADER WOOD ONLY.

(B) TURN ON SIDE TO CUT NAILING BOARDS. CUT BOTH NAILING BOARDS AT REQUIRED MARKS, BEING CAREFUL NOT TO CUT TRACK.



NOTE: MARKINGS FOR STANDARD DOOR WIDTHS.



(C) TURN TRACK ASSEMBLY OVER AND CUT TRACK 1-1/2" (38.1MM) BACK FROM END OF WOOD HEADER.

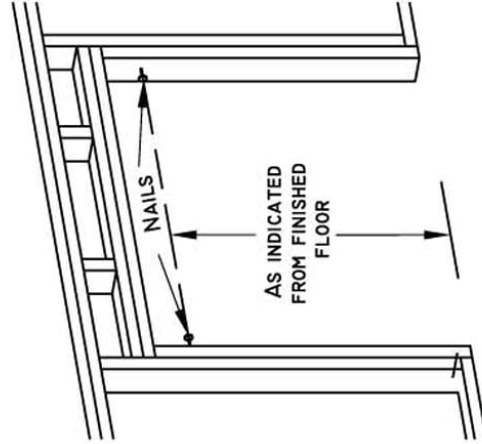
## STEP 3 DETERMINE HEIGHT OF THE FINISHED FLOOR.

MARK EACH SIDE OF ROUGH OPENING ABOVE FINISHED FLOOR AT:

- 80-3/4" (205.1CM) FOR 6'-8" (203.2CM) DOOR
- 84-3/4" (215.26 CM) FOR 7'-0" (213.36CM) DOOR
- 96-3/4" (245.75CM) FOR 8'-0" (243.84CM) DOOR

NOTE: IF MEASURING FROM ROUGH SUB-FLOOR BE SURE TO ADD ESTIMATED THICKNESS OF FINISHED FLOOR MATERIAL AND/OR CARPETING. DRIVE A FLAT-HEADED NAIL ON THE CENTERLINE OF EACH FRAMING STUD AT THE MARK, UNTIL ONLY 1/8" (3.17MM) OF THE NAIL IS LEFT PROTRUDING.

THE SLOT IN THE END BRACKETS WILL SLIDE OVER THESE NAIL HEADS.



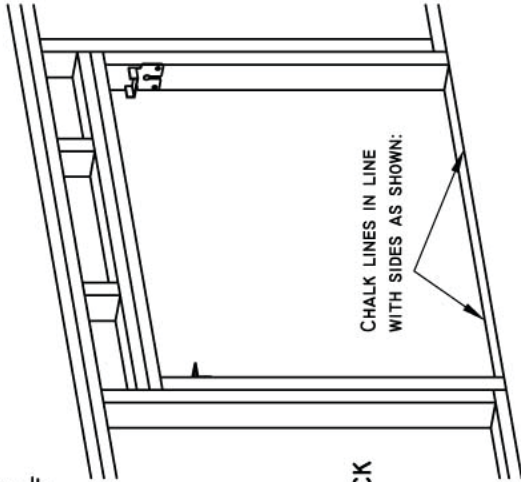
## STEP 4

SLIDE THE SLOT IN "POCKET" END BRACKET OVER NAIL HEAD, LEVEL AND SEAT NAIL. DOUBLE CHECK, LEVEL AND DRIVE ADDITIONAL NAILS

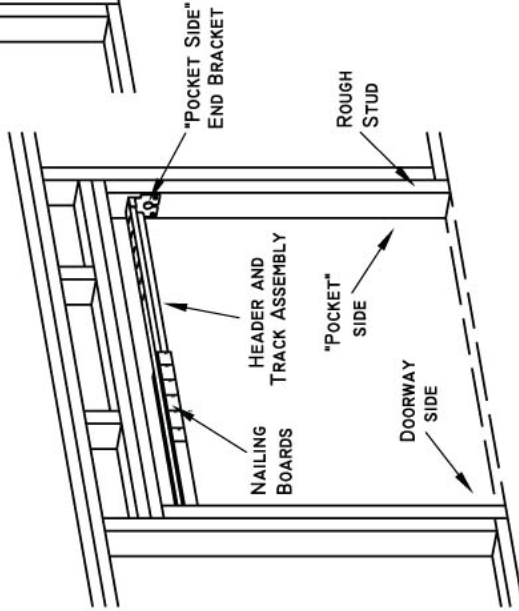


"DOORWAY" END BRACKET MOUNTS TO JAMB IN "DOORWAY" LEVEL AND SECURE WITH ADDITIONAL NAILS.

**STEP 5** SNAP TWO CHALK LINES ON THE FLOOR, EVEN WITH THE SIDES OF THE FRAMING STUDS.



**STEP 6** ATTACH HEADER AND TRACK



THE HEADER AND TRACK ASSEMBLY SHOULD BE INSTALLED WITH NAILING BOARDS OVER DOORWAY.

CHALK LINES IN LINE WITH SIDES AS SHOWN:

SET HEADER AND TRACK ASSEMBLY ON ATTACHED END BRACKETS. CHECK TO MAKE SURE NAILING BOARDS ARE OVER DOORWAY THEN SCREW END BRACKETS TO HEADER AND TRACK ASSEMBLY IN PRE-DRILLED HOLES IN HEADER WITH SCREWS PROVIDED.

**STEP 7** LAY DOWN FLOOR PLATES BETWEEN CHALK LINES, ONE APPROXIMATELY IN THE CENTER OF THE OPENING AND THE OTHER APPROXIMATELY HALFWAY BETWEEN IT AND THE ROUGH STUD OF THE POCKET SIDE.

**STEP 8** CHECK DOOR THICKNESS.

WHEN PROPERLY INSTALLED WITHOUT MODIFICATIONS, THIS POCKET DOOR FRAME ALLOWS 2"(50.8MM) FREE SPACE FOR DOOR BETWEEN SPLIT STUDS. A 1-3/8" (34.93MM) DOOR WOULD LEAVE 5/16"(7.94MM) CLEARANCE ON EACH SIDE. A 1-3/4"(44.45MM) DOOR WOULD LEAVE 1/8"(3.18MM) CLEARANCE ON EACH SIDE.

FOR ADDITIONAL CLEARANCE, FLOOR PLATES MAY BE CUT AND SPREAD APART. SHIMS MAY ALSO BE INSERTED BETWEEN HEADER ASSEMBLY AND SPLIT STUDS.

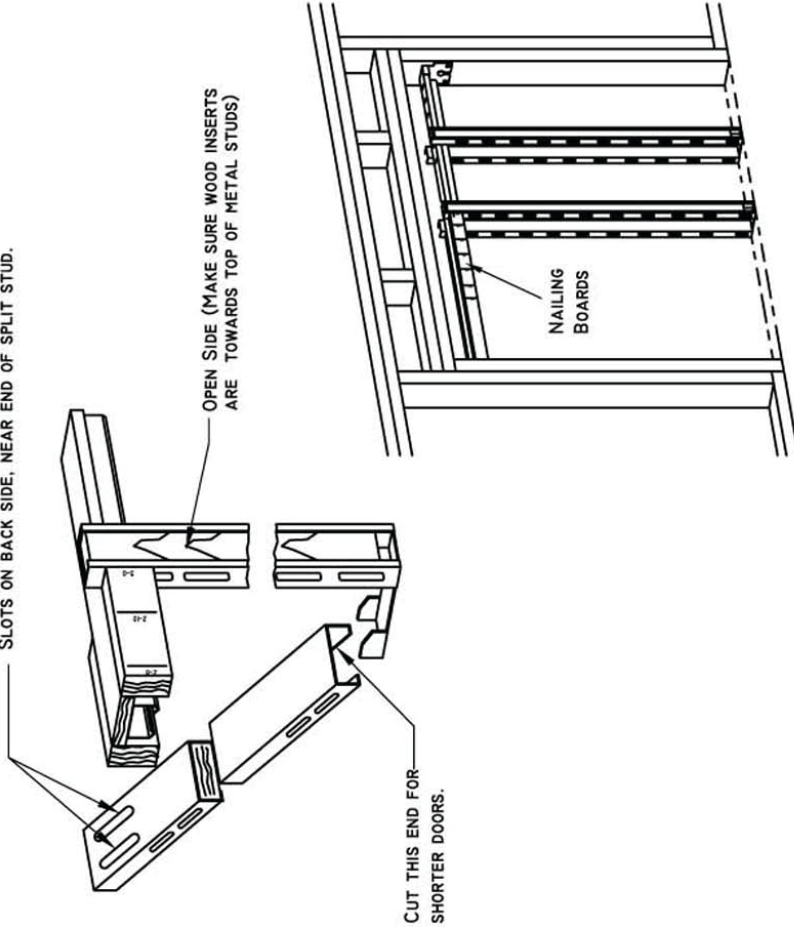
-OR-

USE A DOOR ADAPTOR KIT SOLD SEPARATELY CONTAINING SHIMS AND WIDER FLOOR PLATES FOR ADDITIONAL CLEARANCE WITH 1-3/4" (44.45MM) THICK DOORS.

**STEP 9**

ENGAGE ENDS OF SPLIT STUDS ONTO FLOOR PLATES SO SLOTS ON BACKSIDE ARE AGAINST HEADER. IF SPLIT STUDS MUST BE SHORTENED FOR SHORTER DOORS, DETERMINE WHICH END OF STUD HAS THE SLOTS CLOSE TO THE END, THEN CUT OFF THE OTHER END.

SLOTS ON BACK SIDE, NEAR END OF SPLIT STUD.



**NOTE: FOR BEST RESULTS PRE-DRILL HOLES BEFORE SCREWING.**

BUTT ONE PAIR OF SPLIT STUDS AGAINST THE HEADER NAILING BOARDS AND SCREW TO HEADER. SCREW THE OTHER PAIR OF SPLIT STUDS TO THE HEADER MIDWAY BETWEEN THE FIRST PAIR OF SPLIT STUDS AND THE ROUGH STUD ON THE POCKET SIDE. RE-POSITION THE FLOOR PLATES BETWEEN THE CHALK LINES, PLUMB THE SPLIT STUDS. TO MAKE SURE THEY ARE VERTICAL AND SQUARE. SCREW FLOOR PLATES TO FLOOR.

**NOTE:** FOR ADDED SECURITY WHEN USING HEAVIER DOORS DRILL TWO 1/4" DIA. HOLES, CENTERED IN TRACK, THROUGH HEADER - ONE IN THE APPROX. MIDDLE OF DOOR OPENING AND ONE IN MIDDLE OF POCKET. INSERT 3-1/2" LONG #6 OR #8 PAN HEAD SCREWS THROUGH HOLES AND SCREW TO ROUGH HEADER. DO NOT OVERTIGHTEN TO AVOID BENDING TRACK OR HEADER. CLEAN INSIDE OF TRACK OF DRILL SHAVINGS AND SAW DUST.

**STEP 10** WALL BOARD CAN NOW BE APPLIED. SEE OTHER INSTRUCTION SHEET FOR HANGING DOOR. (MAY BE IN TRACK OR PARTS BAG.)

# HANGING THE DOOR

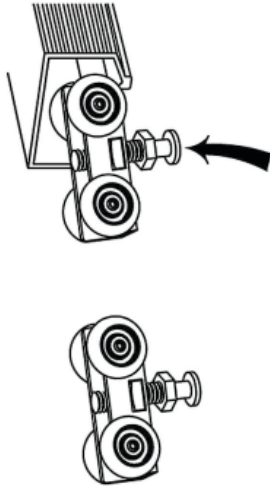
To prepare opening and install Pocket Door Frame Assembly See other Instructions

## Step 11

To help prevent door warpage, guard against moisture absorption by sealing all edges of the door with paint or sealing stain.

## Step 12

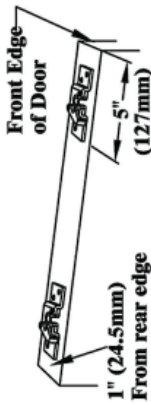
Insert Hangers into the track.



Screw hanger adjusting bolt to lowest position

## Step 13

Install door hanger plates as shown. Attach bumper to back edge of door in approximate center.

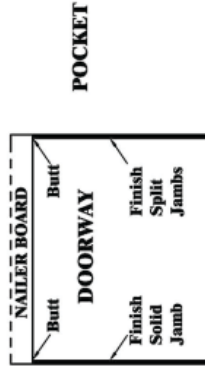


NOTE: When installing BI-PARTING Pocket Doors change to 6" (152.4 mm)

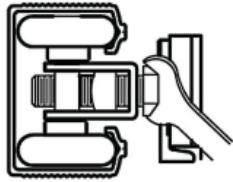
Step 14 Hang door, mounting rear edge first, then front edge.

## Step 15

Install vertical finish jambs, butting them all the way up against exposed wood in nailing strips to Header Assembly.

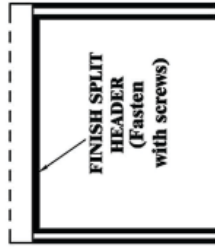


## Step 16



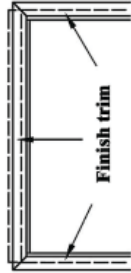
Adjust door for height above the floor and for squareness to solid jamb, by turning adjusting bolt on each hanger with wrench supplied.

## Step 17



Install finish split header to the exposed wood on either side of track. To allow for future door adjustment or removal, at least one finished split header should be attached with screws only: the one on your right hand overhead as you face the door in the pocket.

## Step 18



Install finish trim or casing. Fasten finish header trim to EITHER header OR wall, NOT BOTH, so header can be removed later without damage if needed.

## Step 19

